






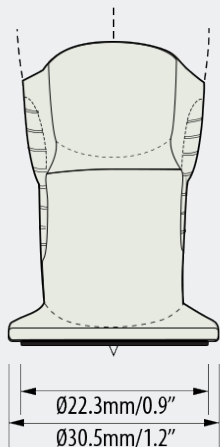
PosiTector® **SPG** Probe Order Guide

Probes		SPG	SPG S	SPG OS	SPG CS	SPG TS
						
		Integral Probe	Cabled Probe			
Order Code	PRBSPG	PRBSPGS	PRBSPGOS	PRBSPGCS	PRBSPGTS	
Application	Blasted Steel		Convex	Textured Coatings	Concrete Surface Profile	
Measuring Range	0 – 500 µm 0 – 20 mils			0 – 1500 µm 0 – 60 mils	0 – 6 mm 0 – 250 mils	
Accuracy	± (5 µm + 5%) ± (0.2 mil + 5%)				± (25 µm + 1%) ± (1 mil + 1%)	
Tip	Angle	60 degree*			60 degree	
	Radius	50 µm (2 mils)			500 µm (20 mils)	

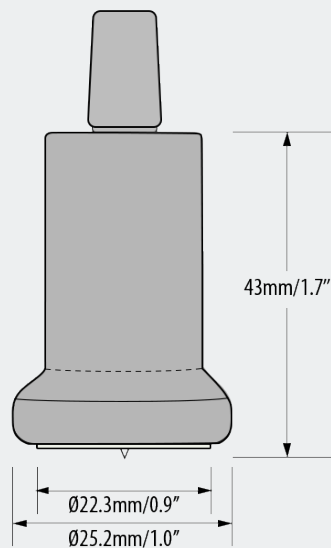
* 30 degree tips available for conforming to Australian standards AS 3994.5-C

Probe Dimensions

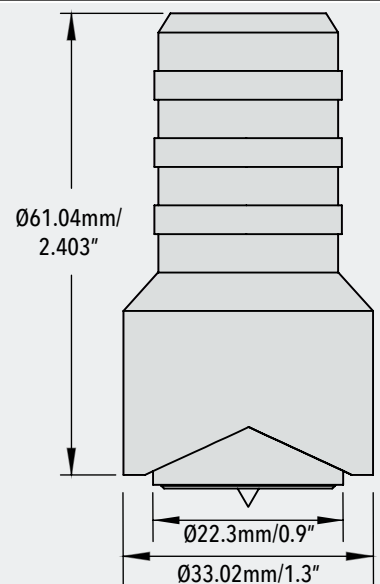
PosiTector SPG Probe



PosiTector SPGS,
SPGCS, SPGTS Probes



PosiTector SPGOS



DeFelsko®
The Measure of Quality

DeFelsko Corporation 800 Proctor Ave., Ogdensburg, New York 13669-2205 USA
Toll Free 1-800-448-3835 • Tel: +1-315-393-4450 • Fax: +1-315-393-8471
techsale@defelsko.com • www.defelsko.com

© DeFelsko Corporation USA 2019. All Rights Reserved. Technical Data subject to change without notice. • SPGPRB1905

