






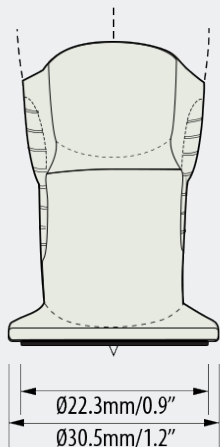
PosiTector® **SPG** Probe Order Guide

| Probes | | SPG | SPG S | SPG OS | SPG CS | SPG TS |
|-----------------|-----------------------------------|---|---|--|---|---|
| | |  |  |  |  |  |
| | | Integral Probe | Cabled Probe | | | |
| Order Code | PRBSPG | PRBSPGS | PRBSPGOS | PRBSPGCS | PRBSPGTS | |
| Application | Blasted Steel | | Convex | Textured Coatings | Concrete Surface Profile | |
| Measuring Range | 0 – 500 µm 0 – 20 mils | | | 0 – 1500 µm 0 – 60 mils | 0 – 6 mm 0 – 250 mils | |
| Accuracy | ± (5 µm + 5%) ± (0.2 mil + 5%) | | | | ± (25 µm + 1%) ± (1 mil + 1%) | |
| Tip | Angle | 60 degree* | | | 60 degree | |
| | Radius | 50 µm (2 mils) | | | 500 µm (20 mils) | |

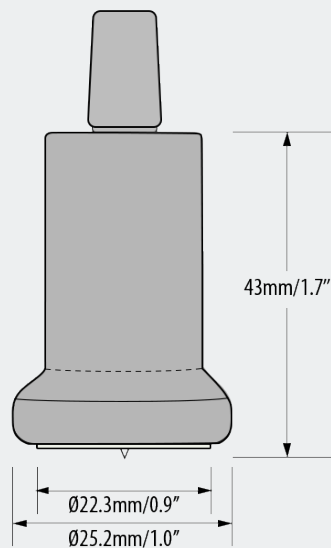
* 30 degree tips available for conforming to Australian standards AS 3994.5-C

Probe Dimensions

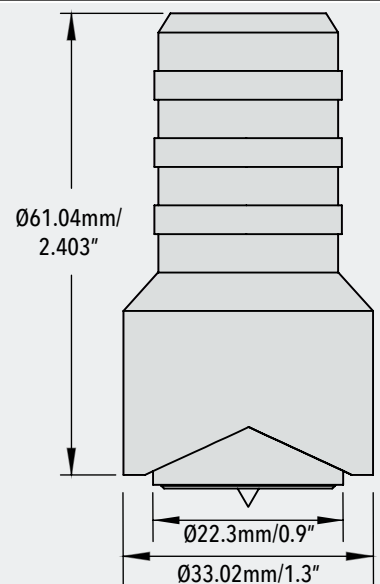
PosiTector SPG Probe



PosiTector SPGS,
SPGCS, SPGTS Probes



PosiTector SPGOS



DeFelsko®
The Measure of Quality

DeFelsko Corporation 800 Proctor Ave., Ogdensburg, New York 13669-2205 USA
Toll Free 1-800-448-3835 • Tel: +1-315-393-4450 • Fax: +1-315-393-8471
techsale@defelsko.com • www.defelsko.com

© DeFelsko Corporation USA 2019. All Rights Reserved. Technical Data subject to change without notice. • SPGPRB1905


Made in U.S.A.